









FOREST LIGHTING

Sustainable illumination

T8 LED Lamp

The Forest Lighting T8 LED Lamp is designed to perform efficiently in places where old-fashioned fluorescent lamps had been used. Our T8 LED tubes incorporate integral drivers, so out-moded failure-prone fluorescent ballasts are eliminated. Lighting systems are simplified. Forest Lighting T8 LED Lamps connect directly to line voltage for easy installation and are offered in two lengths and four color temperatures.

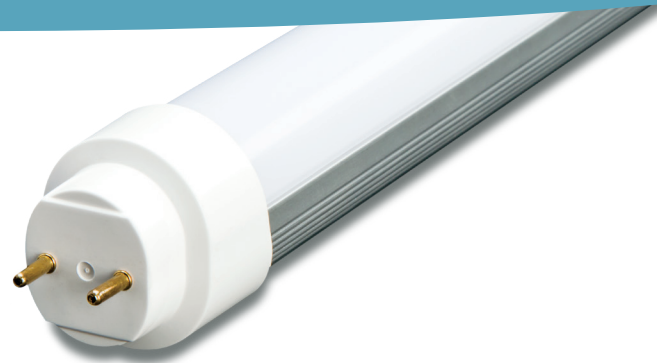
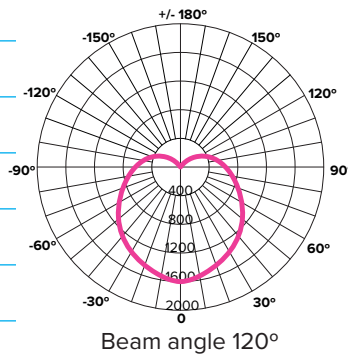
T8 LED LAMP MODELS

CCT	2 FEET	4 FEET
3000K	T8T230 (MT8S04-6)* 	T8T430 (MT8S04)* 
4100K	T8T241 (MT8N04-6)* 	T8T441 (MT8N04)* 
5000K	T8T250 (MT8Z04-6)* 	T8T450 (MT8Z04)* 
6000K	T8T260	T8T460

*Corresponds with DLC model number under the manufacturer MLS

PERFORMANCE & PARAMETERS

CCT	3000 / 4100 / 5000 / 6000K
Beam Angle	120°
CRI	> 80 Ra
Efficacy	100 lm/W
Rated Average Life	50,000 Hrs
Input Voltage	100-277V
Power Frequency	50 / 60 Hz
Power Tolerance	+/- 10%



FEATURES

- Integral Driver
- Direct AC input
- Diffuse lens

BENEFITS

- No Mercury
- Eliminates fluorescent ballasts
- Long lifetime
- Low maintenance cost
- High efficiency
- Compatible with voltages 100-277V
- UL Listed in US and Canada
- DLC listed for utility rebates

WARRANTY

5 Year Warranty

LISTINGS AND CERTIFICATIONS



	2 FEET	4 FEET
Luminous Flux	1200 lm	1900 lm
Input Power	12W	19W
Input Current	.25A	.35A
Fluorescent Equivalent	27W	32W

Forest Lighting, 2252 Northwest Pkwy SE, Suite D, Marietta, GA 30067 800-994-2143

www.forestlighting.com

T8 LED Lamp

PHYSICAL CHARACTERISTICS ENGLISH

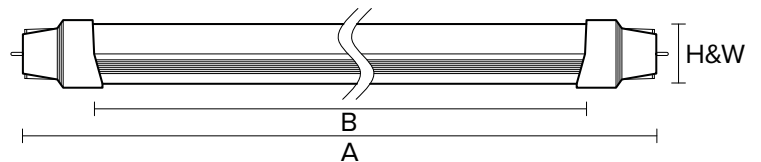
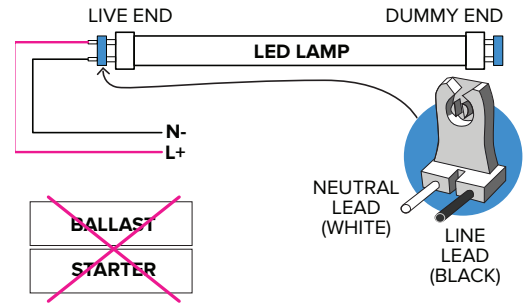
	2 FEET	4 FEET
Body Length (A)	23.62"	47.17"
Lighted Length (B)	22.2"	45.2"
Cross-Section (H x W)	1.18 x 1.02"	1.18 x 1.02"
Net Weight	7.32 oz	12.52 oz

PHYSICAL CHARACTERISTICS METRIC

	2 FEET	4 FEET
Body Length (A)	600mm	1200mm
Lighted Length (B)	539mm	1148mm
Cross-Section (H x W)	30 x 26mm	30 x 26mm
Net Weight	205g	355g

Operating Temperature	-4 to +104 °F, -20 to +40 °C
Operating Humidity	10 to 85% RH
Operating Frequency	> 120 Hz
Base	G13

WIRING DIAGRAM



See tables above for dimensions